



# easy-*line*

Laundry Chutes

## Installation Handbook



# INTRODUCTION

**Dear valued customer,**

We would like to congratulate you on your purchase of your Easy-Line laundry chute. You have chosen a high quality product "Made in Germany".

Modern production facilities in Germany, selected materials and examined quality are the basis for the 5-year-guarantee issued from the original purchase date.

Enjoy your new "home help".

## SAFETY INSTRUCTIONS

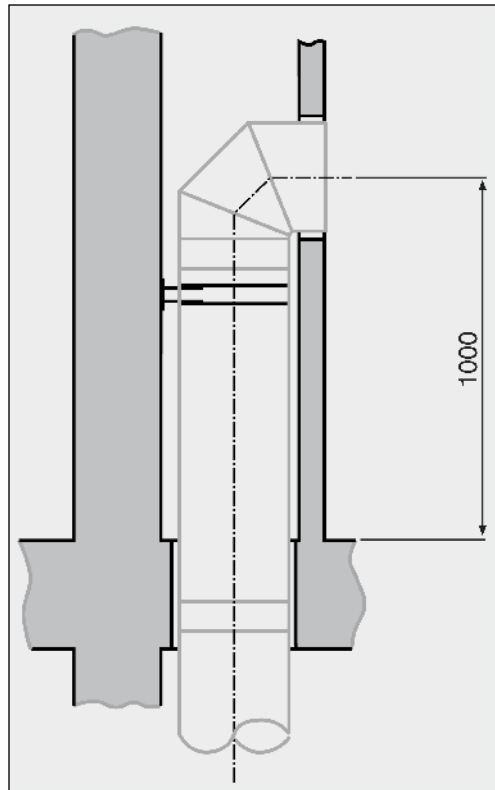
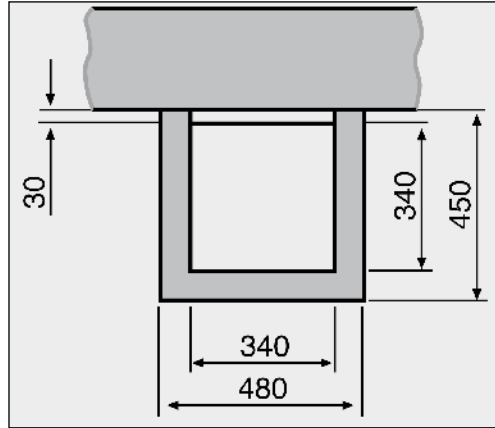
Please read your Installation Instructions manual carefully and follow the instructions. Please keep your manual in a safe place. You may need it in the future for other useful information.

The Easy-Line laundry chute is intended solely for private and not for industrial use.

The Easy-Line laundry chute is intended solely for laundry. We discourage for other use.

Please notice the minimum heights of the laundry chute doors (1 m above finished floor level).

The outer paneling of the laundry chute is not included in the scope of delivery and must be provided on site.

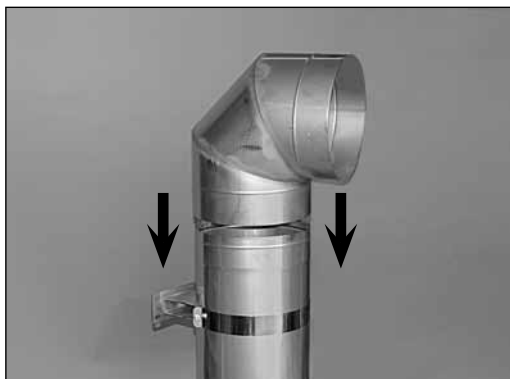


Start with the upper laundry chute door.

1. Mount the first wall bracket approx. 60 cm above the floor onto the wall.



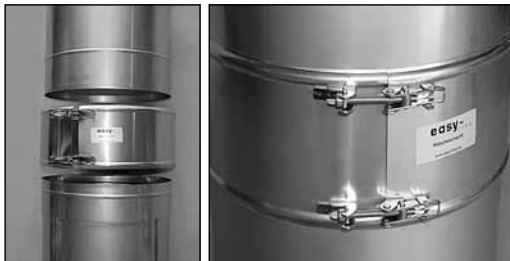
2. Place the 90° elbow into the pipe.



3. Align the pipe and elbow with the wall bracket and fasten it. 1 m distance must be between the finished floor and the middle of the elbow (see picture on page 3).



4. Now you can connect the pipe system and fasten them with the locking bands.

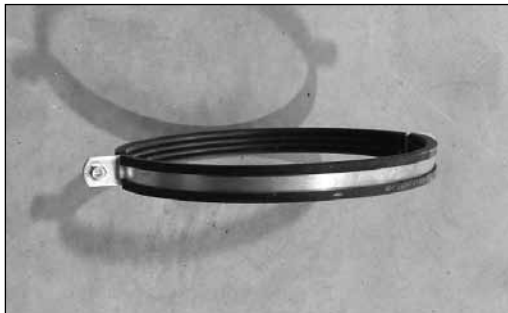


5. Make sure to mount another wall bracket and fasten the pipe by a possible second ceiling.

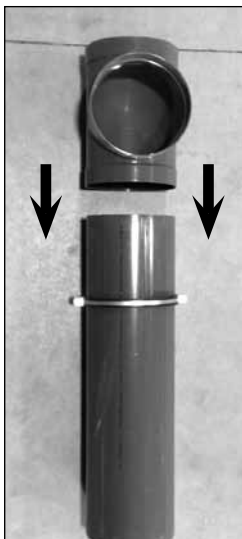


Start with the upper laundry chute door.

1. Mount the first wall bracket approx. 60 cm above the floor onto the wall.



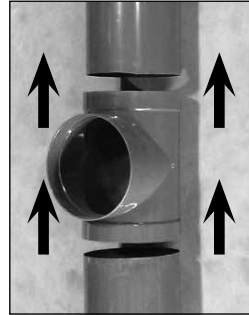
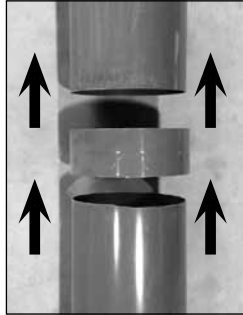
2. Put the t-piece onto the extension piece and agglutinate\* both items at the contact surface. Afterwards put the cap on the t-piece and agglutinate\* both items.



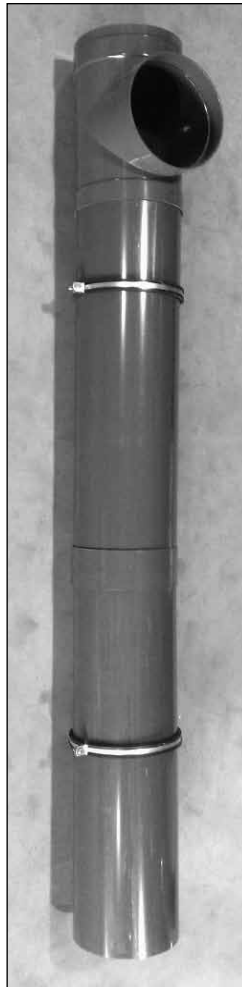
3. Fasten the extension piece with the agglutinated t-piece and cap at the wall bracket and adjust the direction. The distance from the middle of the t-piece to the floor should be at least 1 meter (compare schematics at page 3).



4. Now you can integrate further extension pieces into the laundry chute. Use the couplings to agglutinate\* new extension pieces with the already installed ones. T-pieces for additional chute doors don't need couplings. They are agglutinated\* directly to the extension pieces.



5. If you reach another floor, please mount another wall bracket and fasten the installation.



\*Please note: The glue takes a few minutes to dry. Please hold the items in position until the glue establishes a firm bond between the pieces.

## INSTALLING THE LAUNDRY CHUTE DOOR

The laundry chute doors can be mounted after the laundry chute has been enclosed.

1. Attach the noise insulation onto the laundry chute door.



2. Slide in the chute door and fasten it on the frame with 4 screws.

The laundry chute door can be installed in all directions.



## ADJUSTING THE CHILD PROTECTION SYSTEM

All of our laundry chute doors are fitted with a child protection system.

The snap closures allow the closing force of the laundry chute door to be adjusted with a screwdriver to prevent children from opening the laundry chute doors.









First Name: \_\_\_\_\_

Last Name: \_\_\_\_\_

Address: \_\_\_\_\_

City: \_\_\_\_\_

State: \_\_\_\_\_

Zip: \_\_\_\_\_

Phone: \_\_\_\_\_

Fax: \_\_\_\_\_

E-mail Address: \_\_\_\_\_

Date of Purchase: \_\_\_\_\_

Please complete, copy and fax form back to us at ++49 (0) 63 48 – 9 59 61 -11

**Name of Supplier:**

© ASF Vertriebs GmbH · Interpark 9 · D-76877 Offenbach/Queich · Tel. 0 63 48/9 59 61-0 · [www.easy-line.de](http://www.easy-line.de)

All technical specifications are data, provided by the manufacturer.  
The manufacturer reserves the right to change the specifications if necessary.